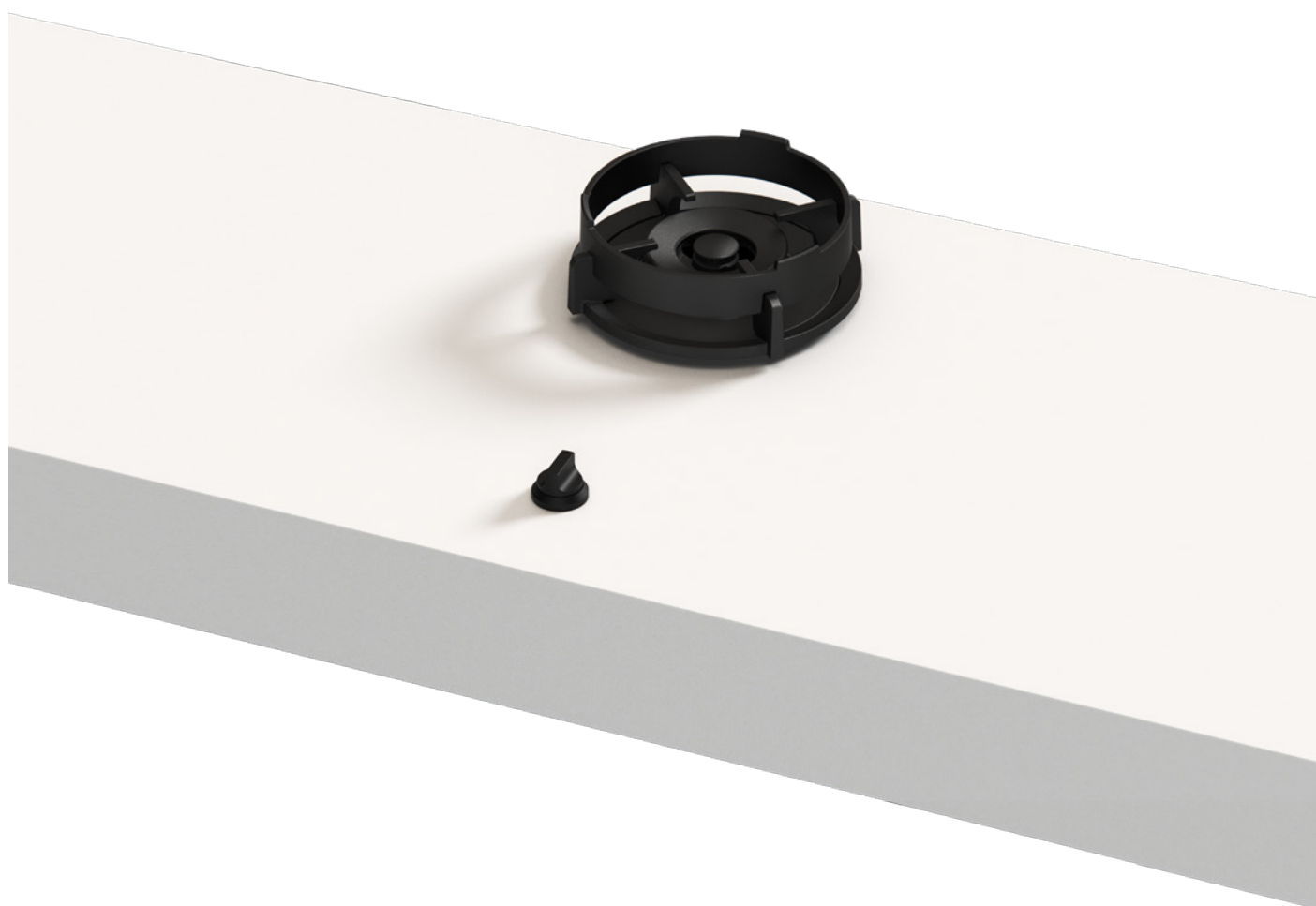
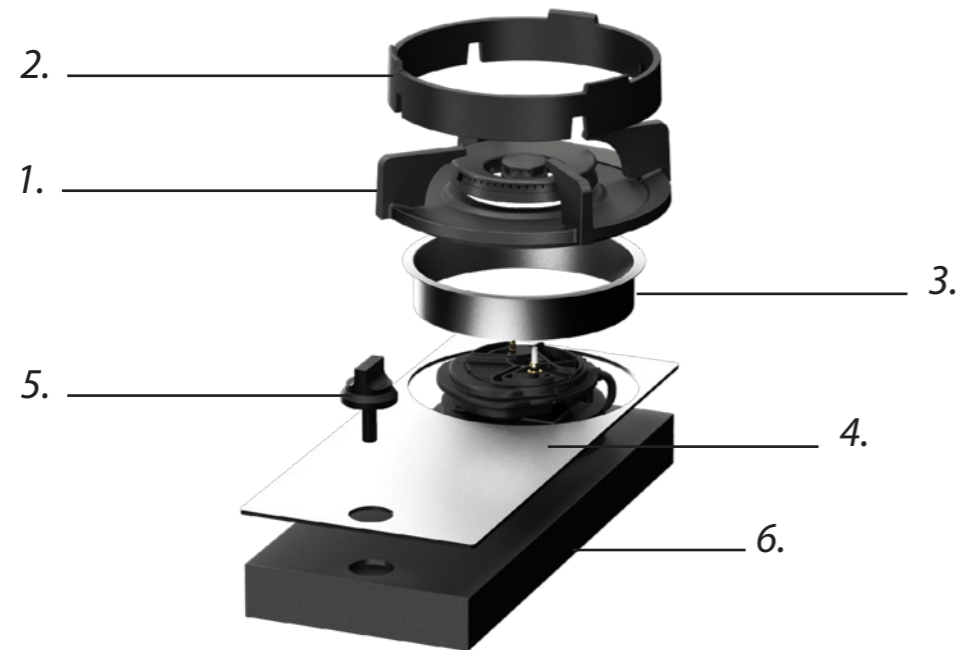


Made in Holland

PITT
COOKING



Gas
Air
Top Side



1. **Wok-/simmer burner**
ENAMELED CAST IRON

2. **Wok ring**
ENAMELED CAST IRON

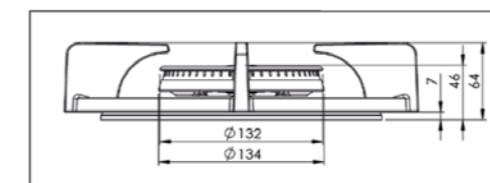
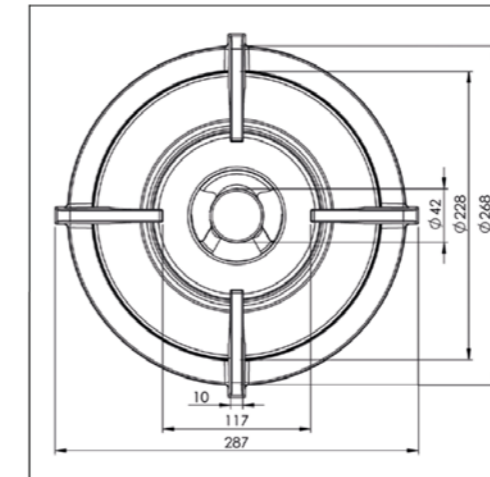
3. **Flange**
STEEL

4. **Heat conductor**
ALUMINIUM

5. **Control knob**
ANODISED ALUMINIUM

6. **Cassette unit**
GALVANIZED STEEL

Wok-/simmer burner



WOK-/SIMMER BURNER

MIN. POWER

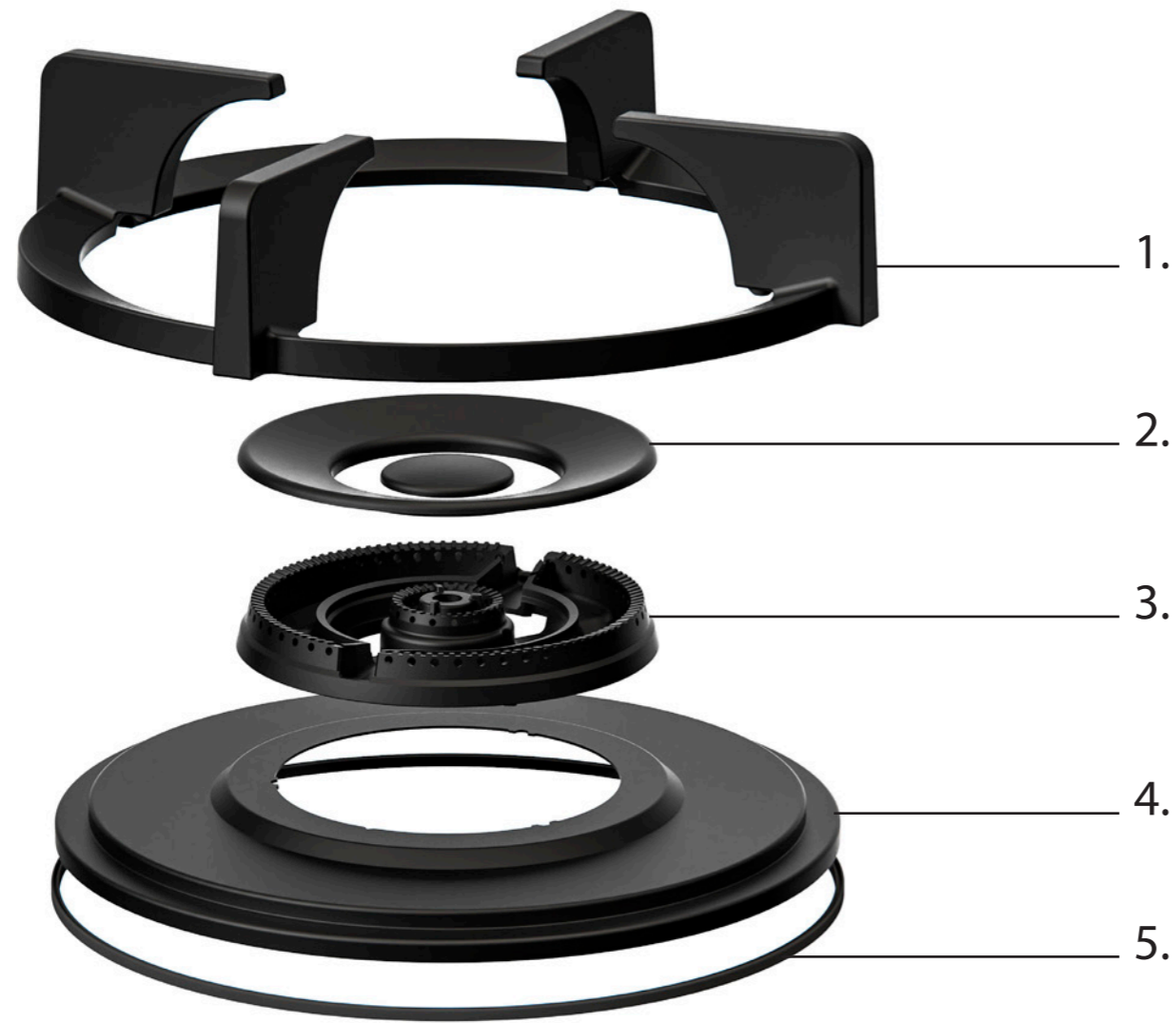
0,2 kW

MAX. POWER

5 kW

DIAM. POWER

Ø 270 mm



1. **Pan support**
ENAMELED CAST IRON

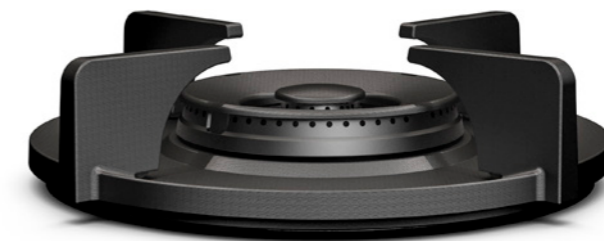
2. **Burner caps**
ENAMELED CAST IRON

3. **Flame spreader**
(COATED BRASS)

4. **Heat shield**
ENAMELED STEEL

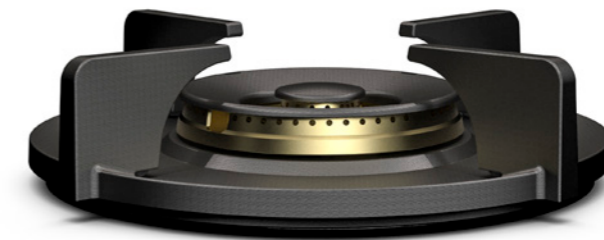
5. **Silicone ring**
SILICONE

Black edition
HEAVY BRASS BURNERS.
BLACK BURNERS WITH A BLACK SURFACE.
STYLISH AND REFINED.



WOK-/SIMMER BURNER

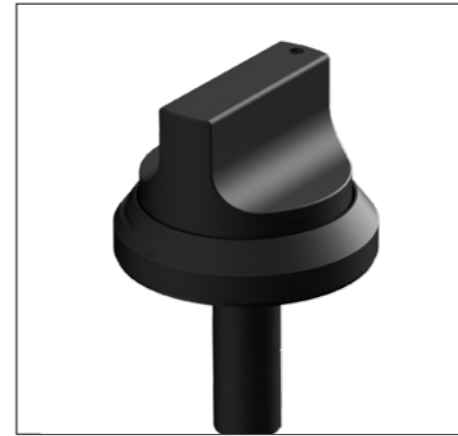
Professional edition
HEAVY BRASS BURNERS.
FOR THOSE WHO WANT TO COOK IN STYLE



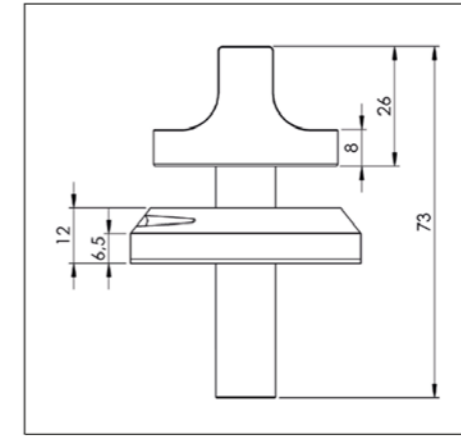
WOK-/SIMMER BURNER

Control knob Top Side

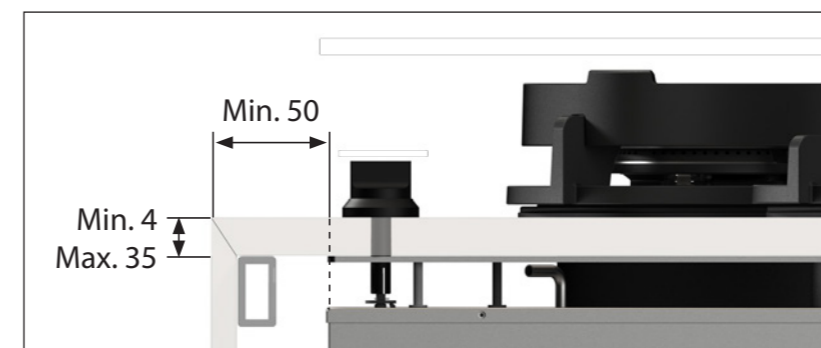
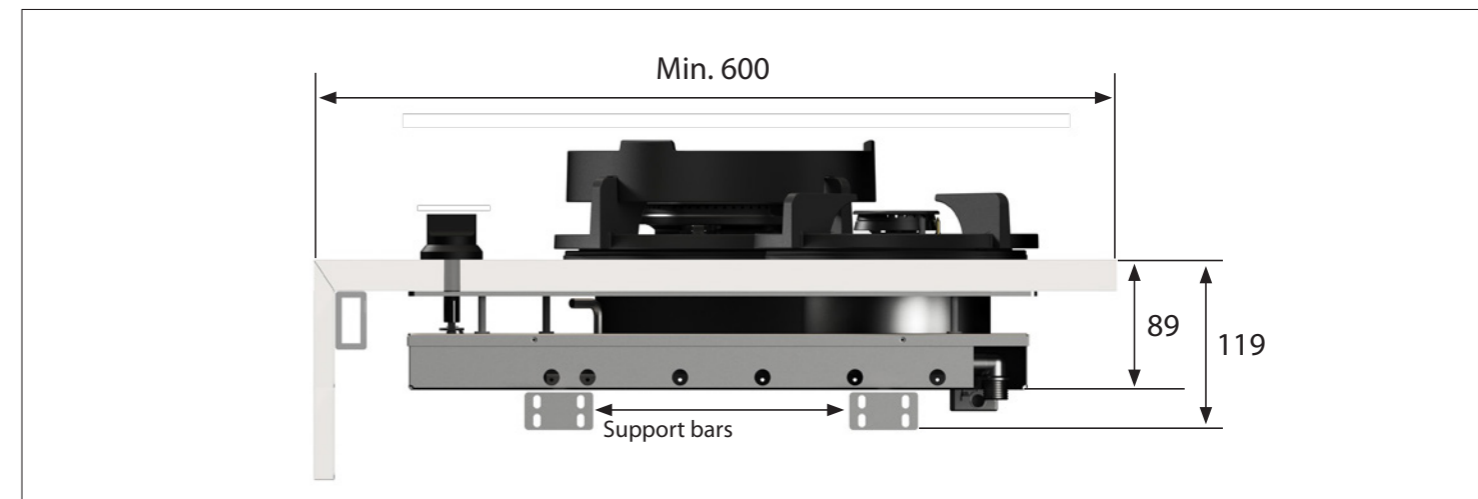
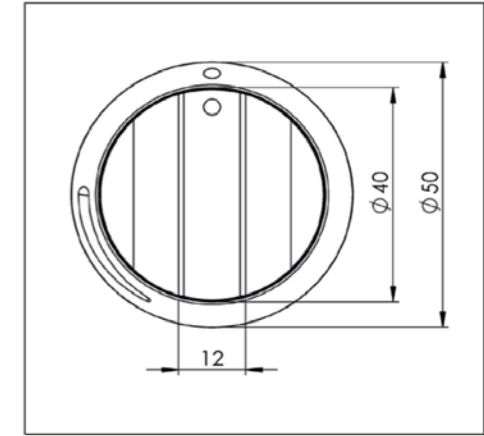
3D-image Top Side knob



Front view Top Side knob

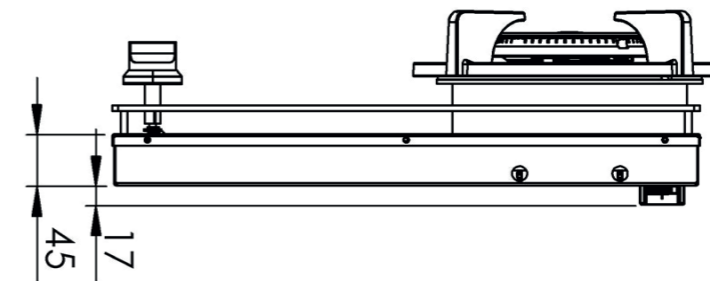
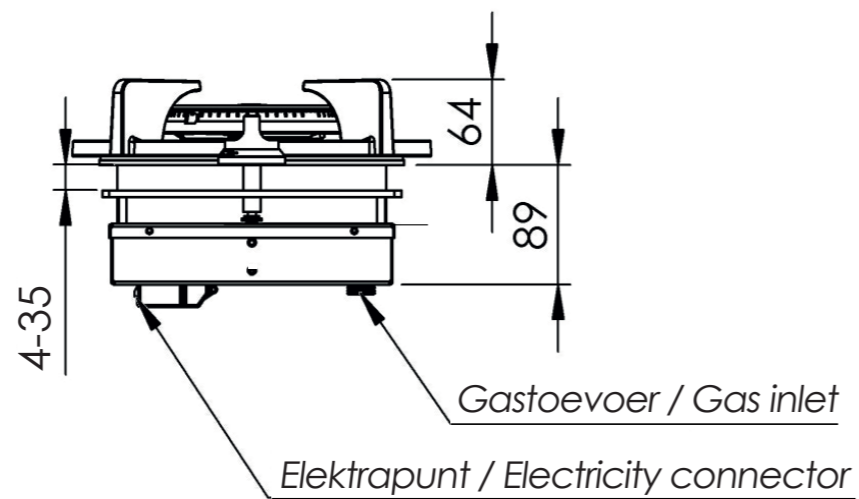
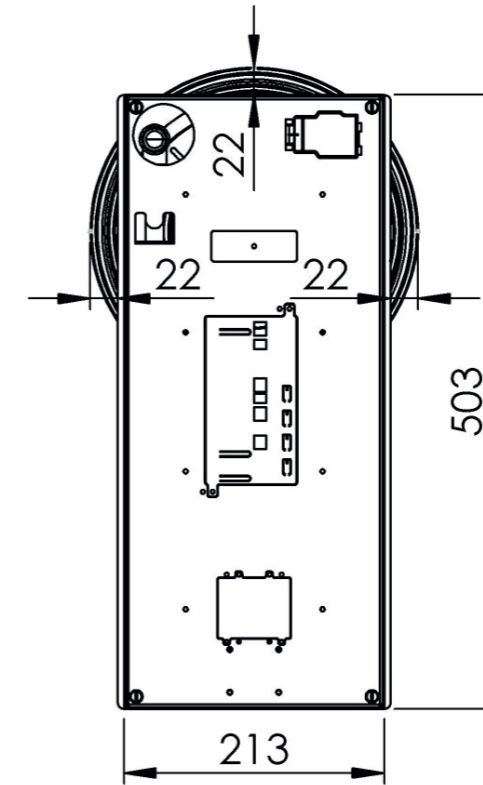
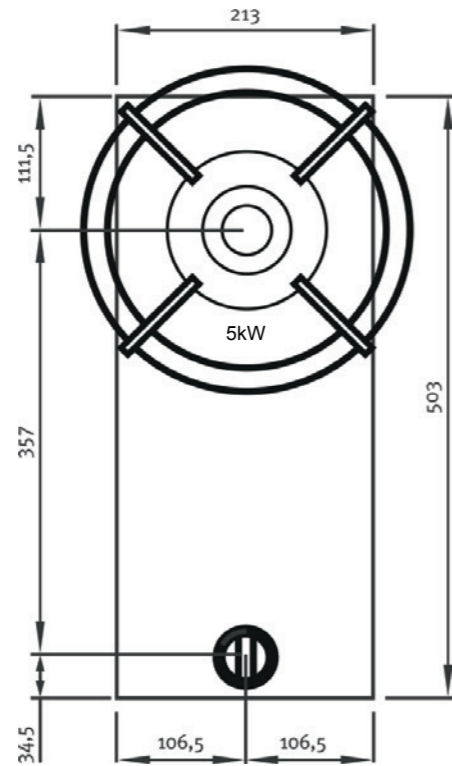


Top view Top Side knob

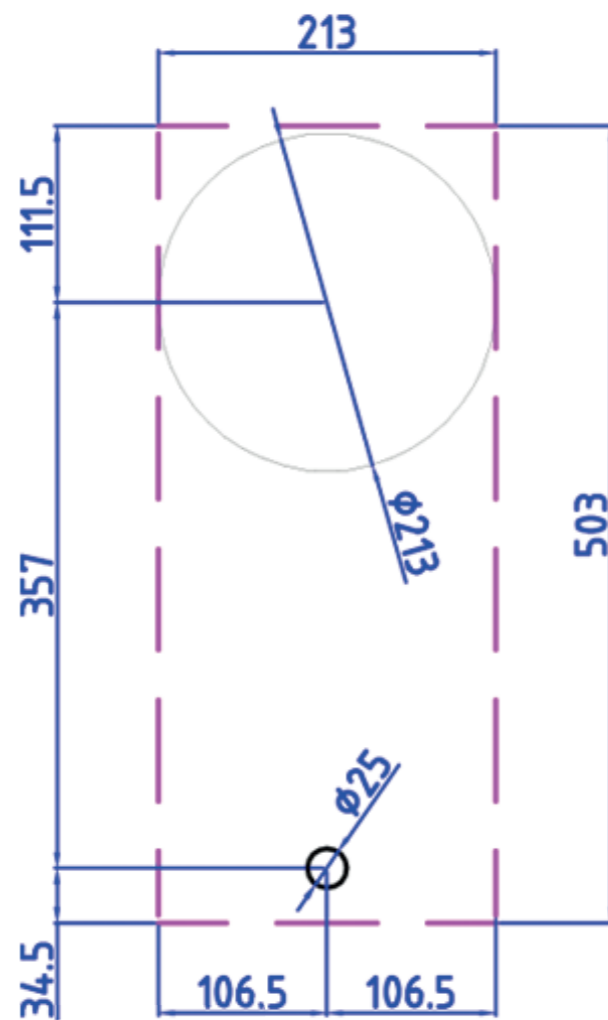


Important

- Minimal countertop depth: 600 mm
- Total height PITT unit incl. support bar set: 119 mm
- Countertop thickness: 4-35 mm
- The C-size is a **minimal** size



Hole pattern



Technical specifications



Model	Air Top Side
Type of burners	1x wok-/simmer burner (0,2 - 5 kW)
Editions	Professional (brass) Black (full black)
The controls	Top Side
Module dimensions (LxWxH)	213 x 503 x 89 mm
Automatic spark ignition	✓
Flame protection	✓
Weight	7,5 kg
Wok ring	✓

Gas & Electricity

Type of gas suitable	Natural gas, LPG (Bottled gas)
Type of gas connection	½" external threads
Position gas connection	Top corner, right
Voltage	220V-110V (default) / 1,5V (battery)
Cord length	1500 mm / 591/16"



Installation and handling instructions gas



Installation manual Top Side gas



User manual gas